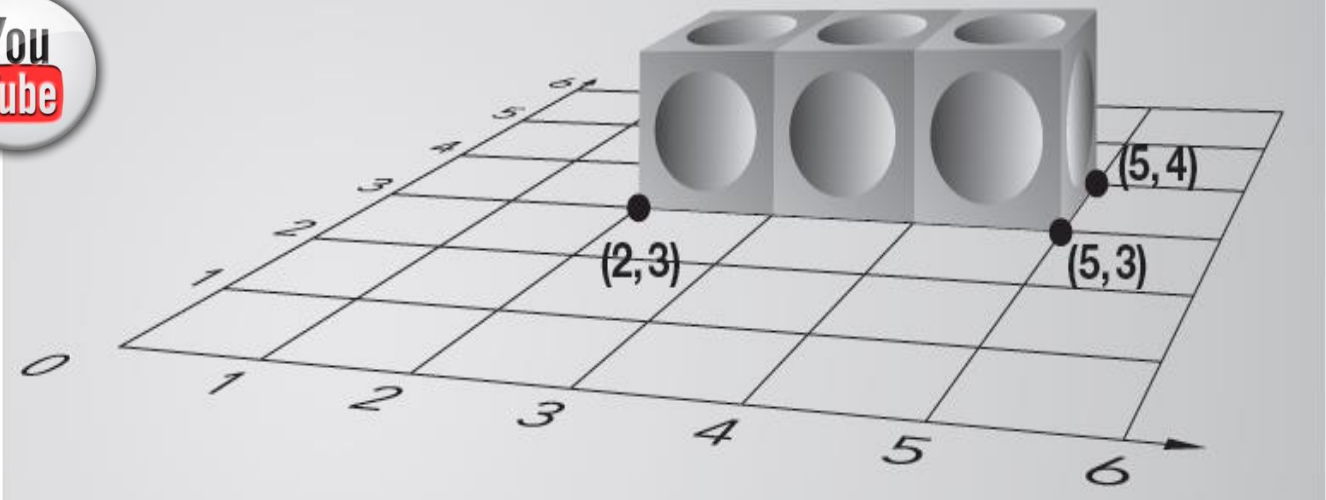


2013A KS2 Q13

Alfie places three cubes on a coordinate grid. The base of his shape is a rectangle.



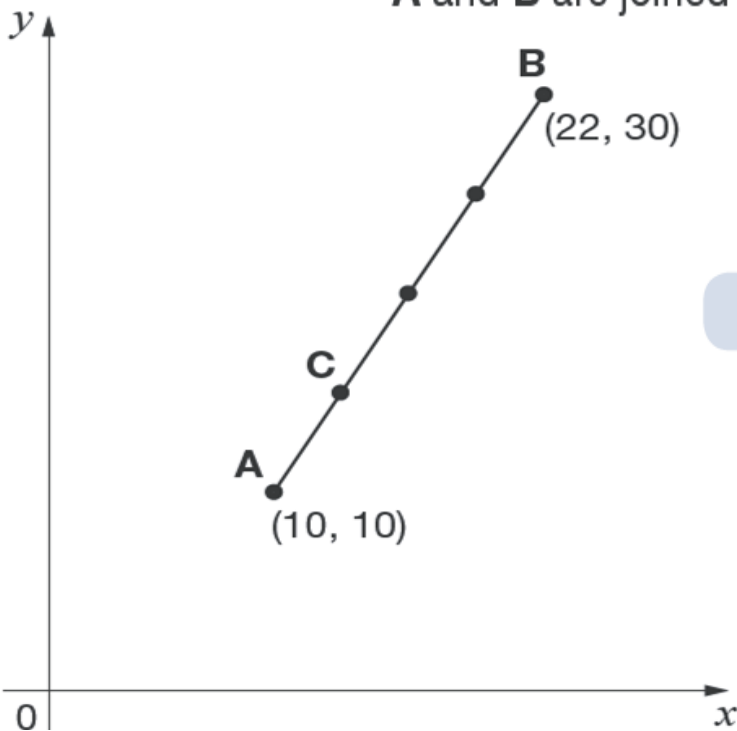
Complete this sentence:

The four **vertices** of the rectangle are

(2, 3), (5, 3), (5, 4) and

2011A KS2 Q23

A and B are joined by a straight line on coordinate axes.



The dots on the line are equally spaced.

What are the coordinates of C?

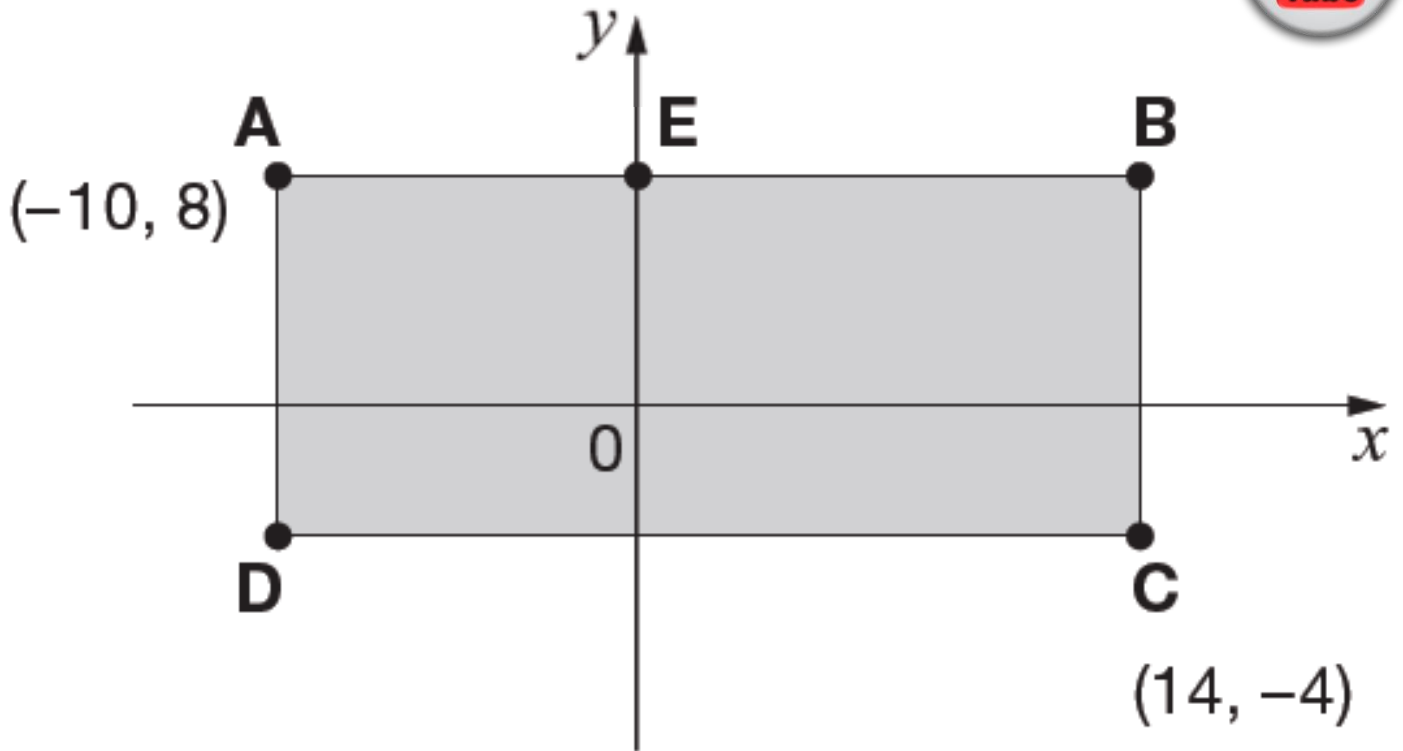


C is

2009A KS2 Q23

ABCD is a rectangle drawn on coordinate axes.

The sides of the rectangle are parallel to the axes.



What are the coordinates of **D** and **E**?

D is (,)

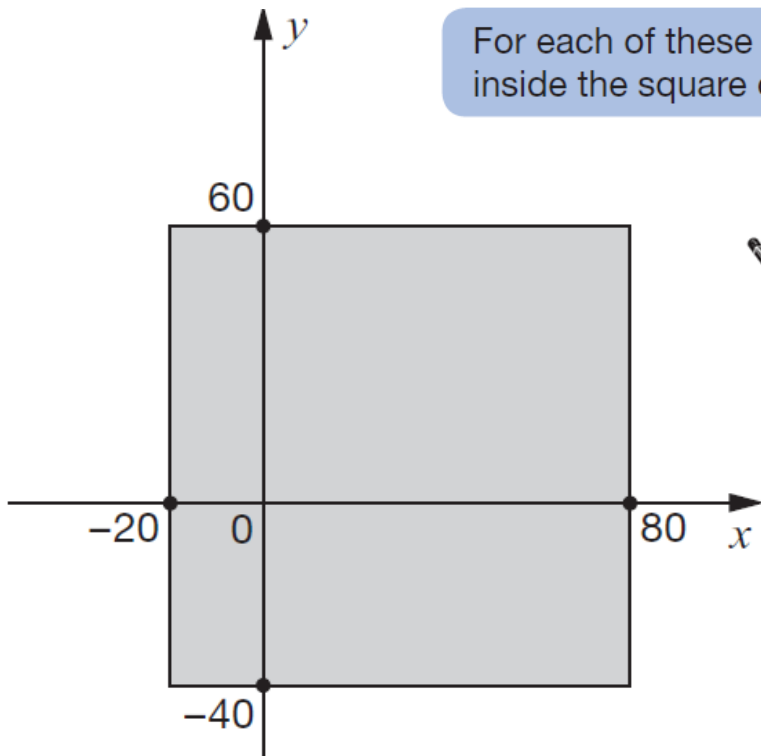
E is (,)

2007A KS2 Q19

Here is a shaded square on *x* and *y* axes.



For each of these points, put a tick (✓) to show if it is inside the square or outside the square.

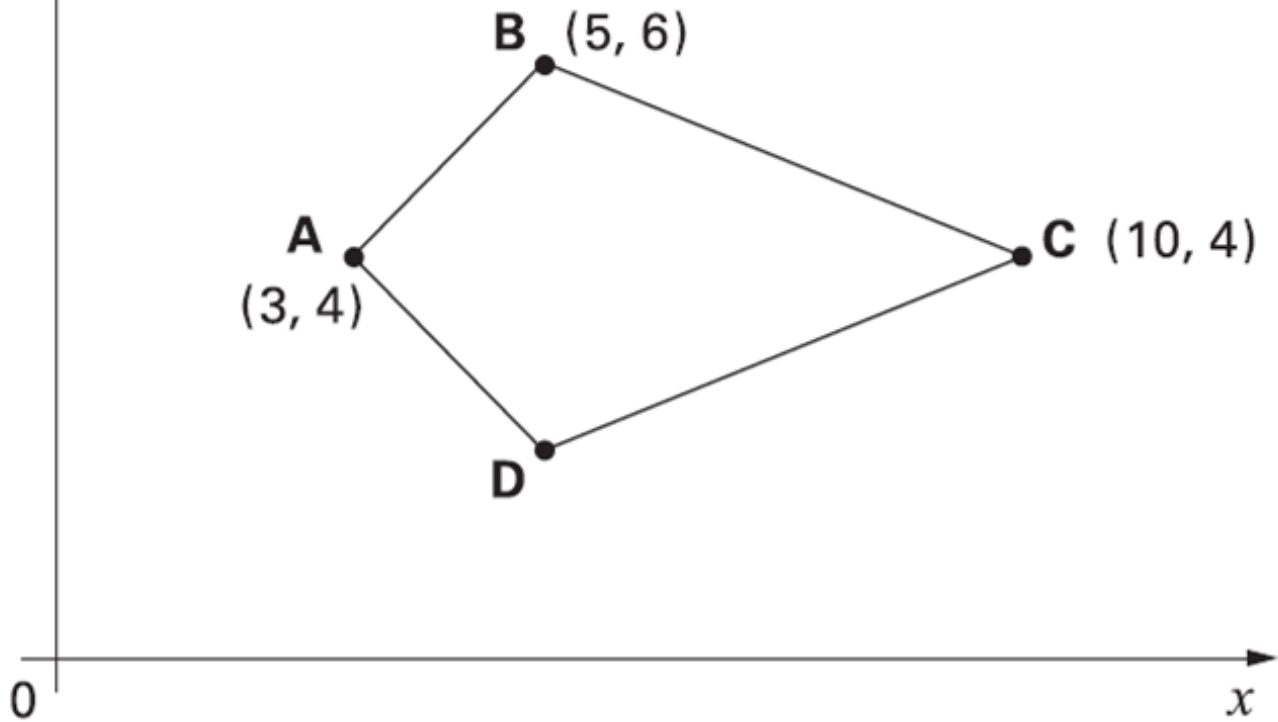


	inside the square	outside the square
(50, 70)	<input type="checkbox"/>	<input type="checkbox"/>
(60, -30)	<input type="checkbox"/>	<input type="checkbox"/>
(-10, 50)	<input type="checkbox"/>	<input type="checkbox"/>
(-30, -30)	<input type="checkbox"/>	<input type="checkbox"/>

y

2004A KS2 Q20

Here is a kite.



Write the coordinates of point D.

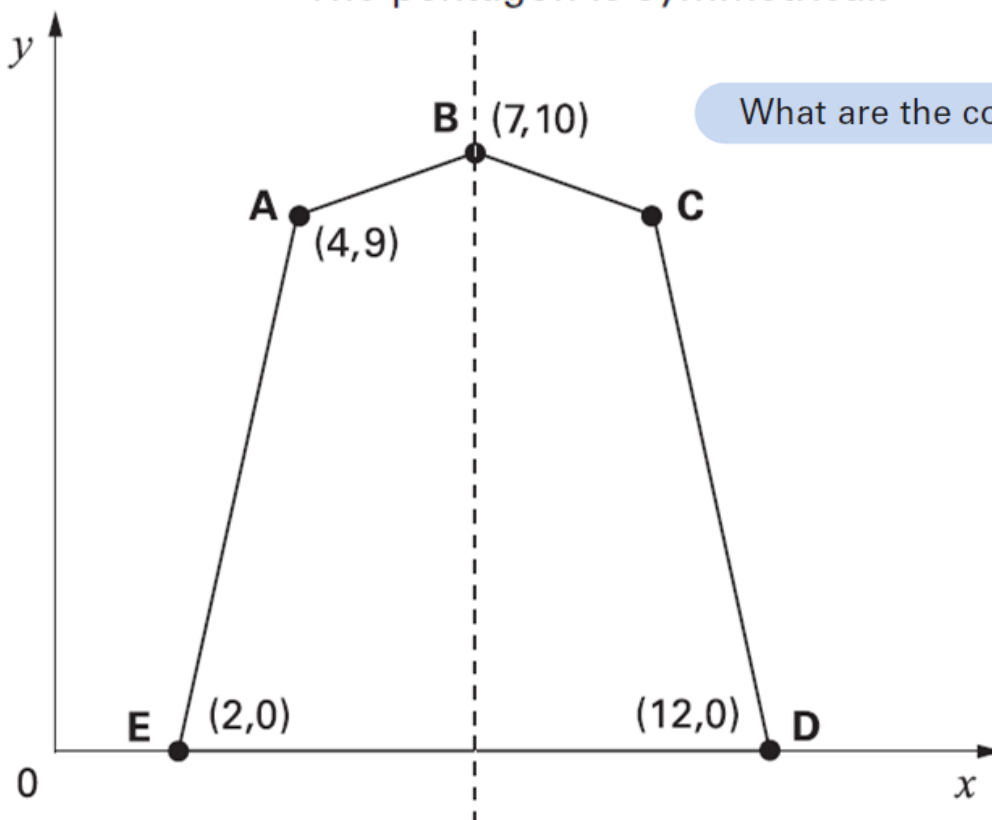


(,)

2003A KS2 Q23

Here is a pentagon drawn on a coordinate grid.

The pentagon is symmetrical.



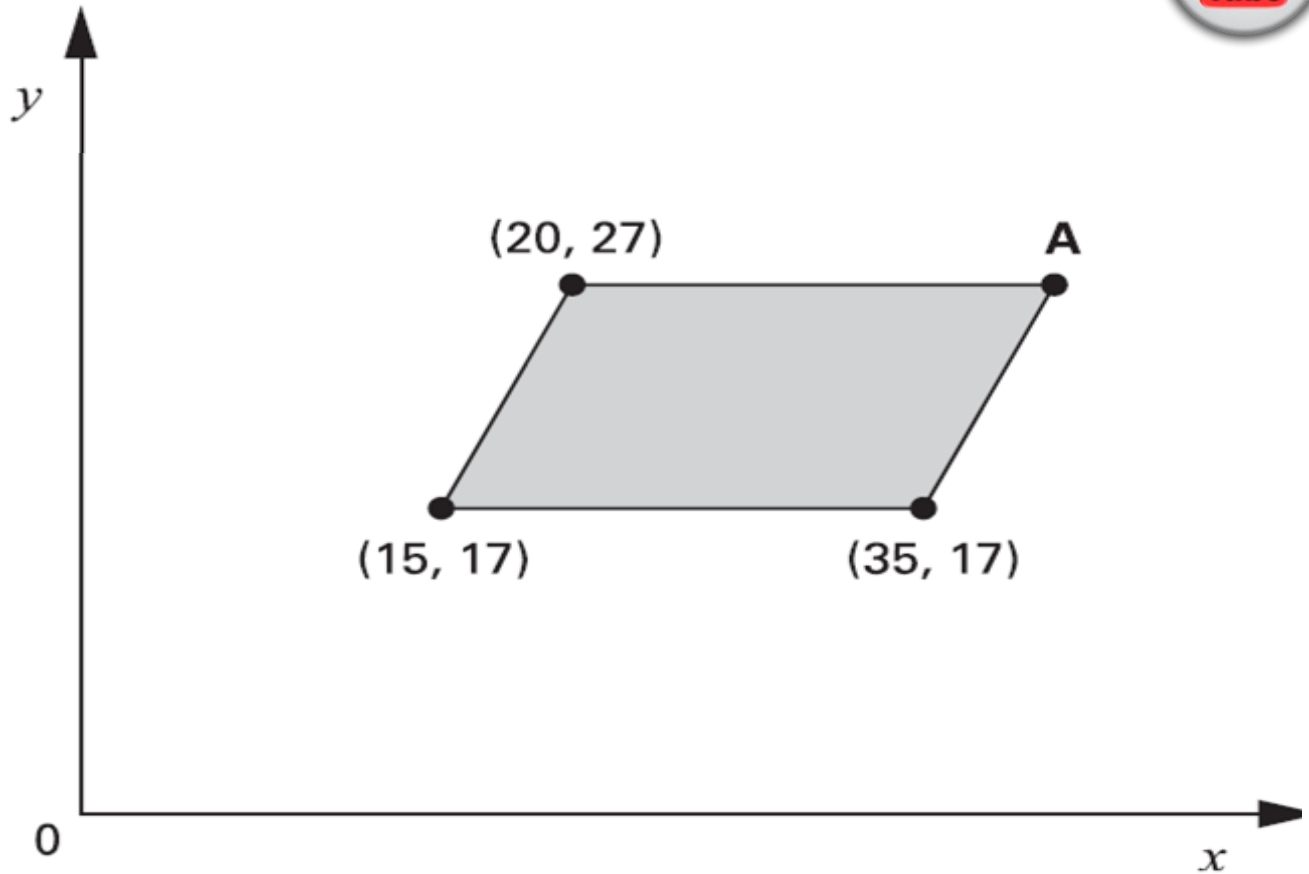
What are the coordinates of point C?



(,)

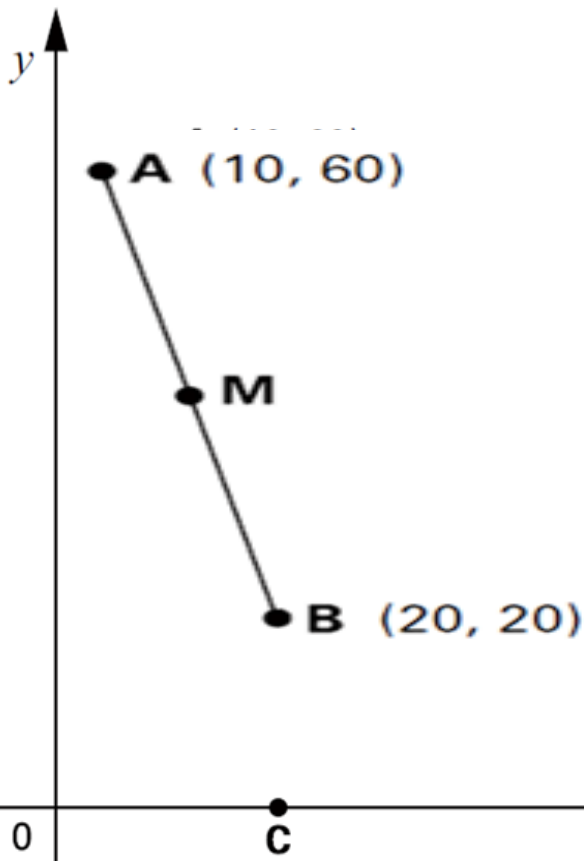


The shaded shape is a parallelogram.



Write in the coordinates of point A.





A is the point (10, 60)

B is the point (20, 20)

M is the midpoint of line AB.

Write the coordinates of M.

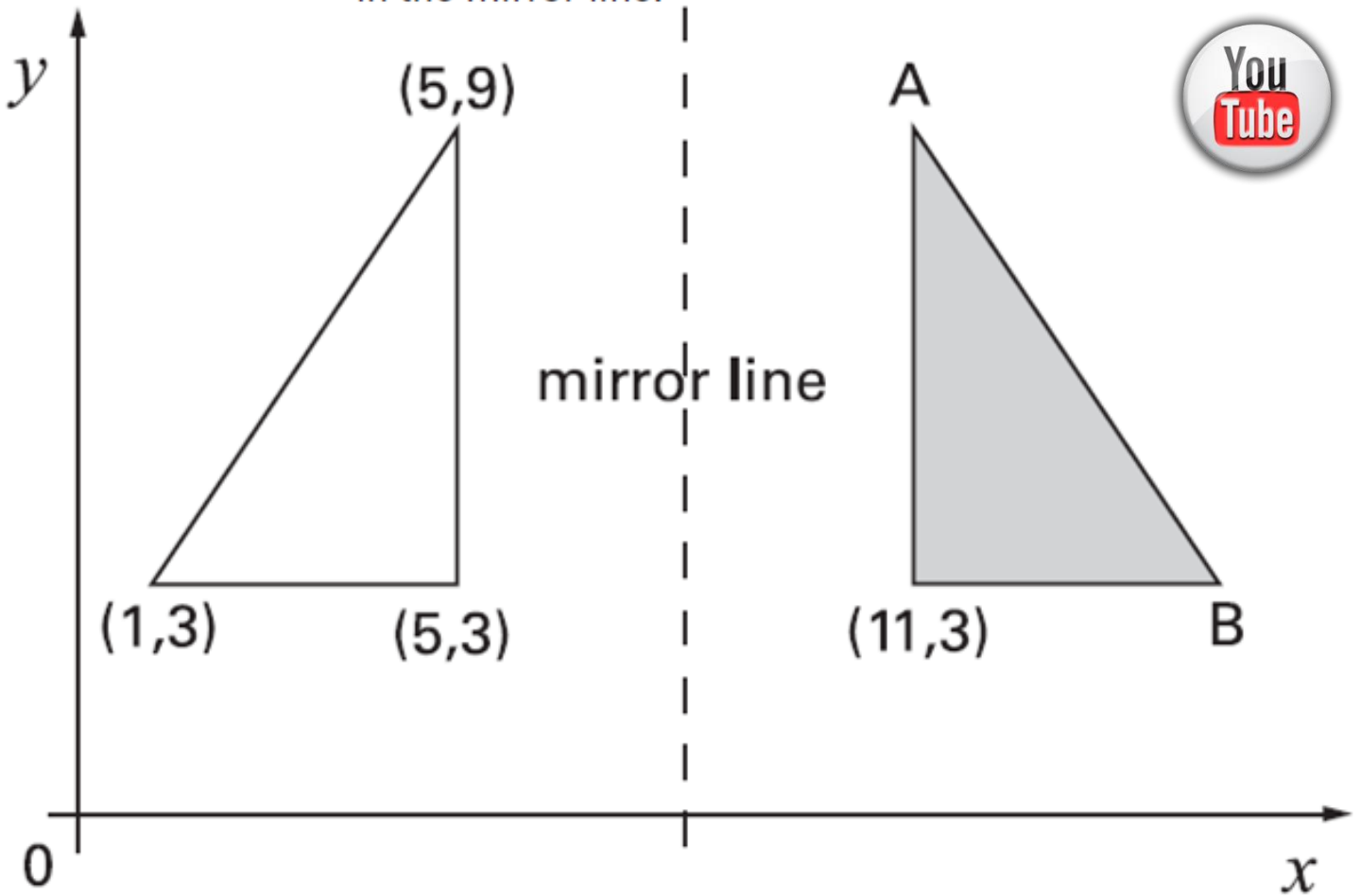


C is on the x -axis, directly below B.

Write the coordinates of C.



The shaded triangle is a reflection of the white triangle in the mirror line.

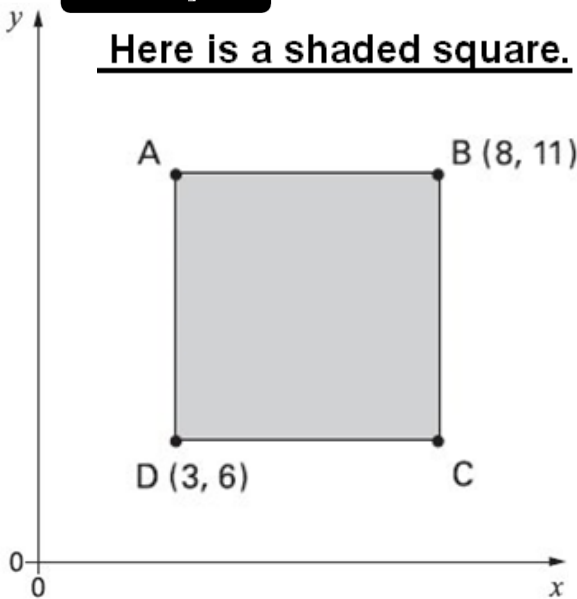


Write the **co-ordinates** of point **A** and point **B**.

A is B is

Video Coming Soon!

Here is a shaded square.

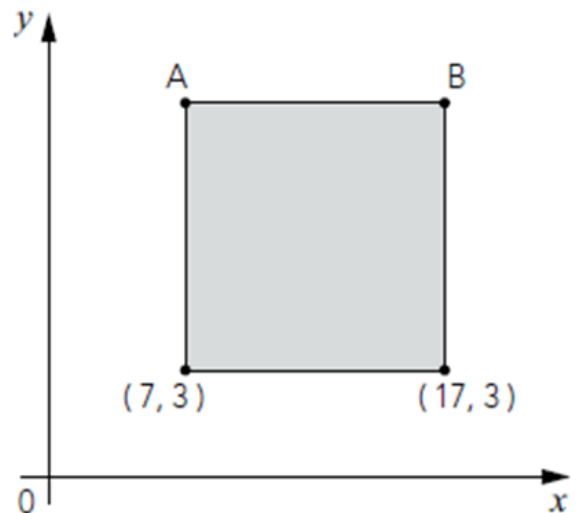


Write the coordinates for point **A**.

A =

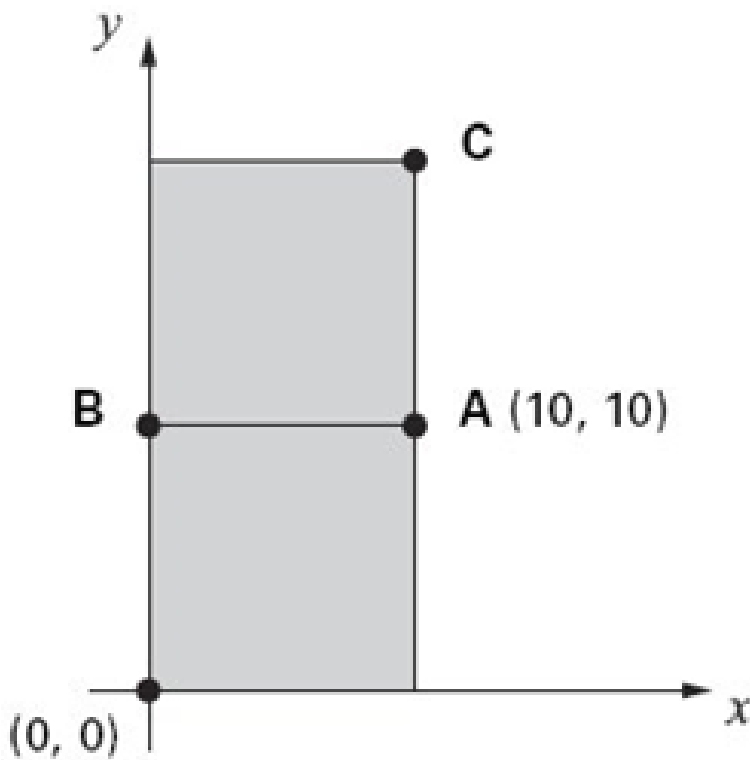
Video Coming Soon!

Q8. The shaded shape is a square.



What are the coordinates of A and B?

A B

The diagram shows two identical squares

A is the point $(10, 10)$

What are the coordinates of **B** and **C**?



B is (,)



C is (,)

The shaded shape is an isosceles triangle. Write in the missing co-ordinate.

